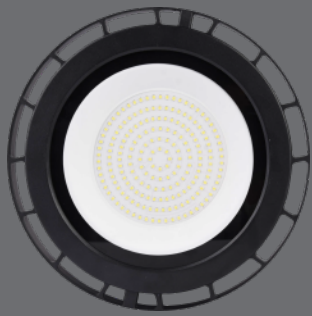


LIGHTTIME
ILLUMINATION



U1/1 Lush Road
Pooraka S.A. 5095
Ph. 08 8262 5023

sales@lighttime.com.au

LIGHTTIME

Illuminating Australia



IES files and photometric drawings available on request for all fittings

www.lighttime.com.au

Email sales@lighttime.com.au



LBL9D-BC4
9W 780Lm 4000K Dimmable

LED Residential & Commercial Globe

New or retrofit BC Globe

A60, 9W, Dimmable BC builders Globe
Suitable for all residential, commercial uses.



Specifications

Lumen Output	780lm
Input Power	9W
Colour Temperature	4000K Cool White
Supply Input	220-240v AC
Power Factor	0.5
Efficacy	90lm/W
Colour Rendering(Ra)	80
Driver	Internal IC
Dimension	60mm dia x 108mm
Certifications	CE, RoHS, SAA



LDL9-CCT

9W 750-800Lm
3000/4000/6000K Dimmable

LDL9-WW

9W 750Lm 3000K Dimmable

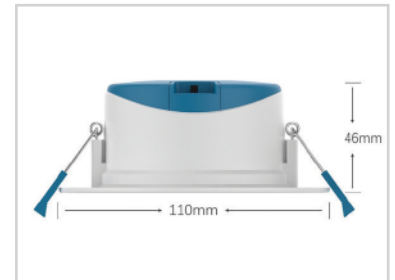
LDL9-CW

9W 800Lm 4000K Dimmable

LED Residential & Commercial Downlight

New Ultra low profile design

110mm, 90mm cut out switchable colour,
LED fixed downlight for residential, commercial uses.



Specifications

Lumen Output	750 / 800 / 800lm
Input Power	9W
Hole Cutout Size	90mm
CCT	3000 / 4000 / 6000K selectable
Trim Colour	White - chrome/black clip on trims available
Warranty	3yr
IP Rating	IP44
IC Rating	IC-4
Supply Input	220-240V, 50/60Hz
Driver	Integral
Power Factor	>0.9
Useful life @Ta25° (L70)	30,000hr
Dimensions	Ø110 x 46mm
Operating Ambient Temp.	-25 to 50°C
Electrical Classification	Class 2
Housing	Aluminium + Polycarbonate Diffuser
Connection Type	1.2m Flex & Plug
Total Weight	0.22kg



LCDL10-3
10W 880-960Lm
Warm White 3000K
60° Dimmable

LCDL10-4
10W 880-960Lm
Cool White 4000K
60° Dimmable

Low Glare LED Downlight

Low glare, recessed residential & commercial

100mm, 90-95mm cut out, switchable colour, dimmable
Low glare recessed Downlight for residential, commercial applications.



Specifications

Lumen Output	880 - 950lm
Input Power	10W
Beam Angle	60 Deg.
Hole Cutout Size	90 - 95mm
CCT	Warm White 3000K / Cool White 4000K
Trim Colour	White RAL9016 Trim - Black RAL9005 Heatsink
Warranty	3yr
IP Rating	IP54
IC Rating	IC-4
Supply Input	220-240V, 50/60Hz
Driver	External
Power Factor	>0.9
Useful life @Ta25° (L70)	50,000hr
Dimensions	Ø100 x 90.6mm
Operating Ambient Temp.	-25 to 50°C
Electrical Classification	Class 2
Housing	Aluminium + Heatsink
Connection Type	0.6m Flex & Plug
Total Weight	0.47kg

Lumen Output	880 - 950lm
Input Power	10W
Beam Angle	60 Deg.
Hole Cutout Size	90 - 95mm
CCT	Warm White 3000K / Cool White 4000K
Trim Colour	White RAL9016 Trim - Black RAL9005 Heatsink
Warranty	3yr
IP Rating	IP54
IC Rating	IC-4
Supply Input	220-240V, 50/60Hz
Driver	External
Power Factor	>0.9
Useful life @Ta25° (L70)	50,000hr
Dimensions	Ø100 x 90.6mm
Operating Ambient Temp.	-25 to 50°C
Electrical Classification	Class 2
Housing	Aluminium + Heatsink
Connection Type	0.6m Flex & Plug
Total Weight	0.47kg

Features

- Unique model design, anti-glare led downlight with deep recessed reflector.
- Uses supreme ADC12 aluminium heat sink with great heat dissipation and light distribution.
- External isolater driver.
- Dimmable.
- High lumen 2835 SMD led chip with antiglare PMMA lens, up to 100lm/w.
- Front IP54, IK10 rated.



LHP30-4

1200 x 300 LED Panel
30W, 3300lm, 4000K

1200 x 300 LED Panel Light
30W High Performance Low Profile LED Panel

Applications Schools, Retail, Office, Showrooms



Specifications

Panel Wattage	30W
Lumen	3300lm
Colour Temperature	4000K
Beam Angle	120°
CRI	>80
UGR	≥22
Useful Life@Ta25 (L70)	30,000Hrs
IP Rating	IP40
Size	1200mm x 300mm
Operating Temperature	-10°C to 45°C

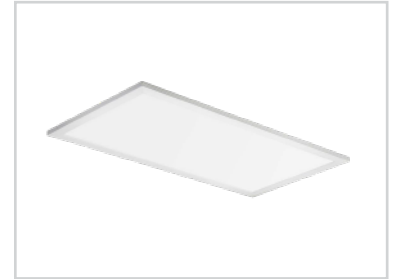


LHPW36-4
1200 x 600 LED Panel
36W, 4000lm, 4000K

1200 x 600 LED Panel Light

36W High Performance Low Profile LED Panel

Applications Schools, Retail, Office, Showrooms



Specifications

Panel Wattage
Lumen
Colour Temperature
Beam Angle
CRI
UGR
Useful Life@Ta25 (L70)
IP Rating
Size
Operating Temperature

36W

4000lm

4000K

120°

>80

≥22

30,000Hrs

IP20

1195mm x 595mm x 9mm

-10°C to 45°C

1.2m flex and plug with BOKE driver

Premium PMMA Light Guide Plate ensuring no yellowing of panel



LHPW30-4
600 x 600 LED Panel
30W, 3300lm, 4000K

600 x 600 LED Panel Light
30W High Performance Low Profile LED Panel

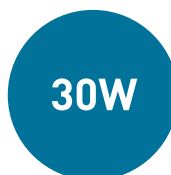
Applications Schools, Retail, Office, Showrooms



Specifications

Panel Wattage	30W
Lumen	3300lm
Colour Temperature	4000K
Beam Angle	120°
CRI	>80
UGR	≥22
Useful Life@Ta25 (L70)	30,000Hrs
IP Rating	IP20
Size	595mm x 595mm x 9mm
Operating Temperature	-10°C to 45°C
	1.2m flex and plug with BOKE driver

Premium PMMA Light Guide Plate ensuring no yellowing of panel





LCB20-CCT
LED Batten 20W CCT

LCB2040-CCT
LED Batten 20W/40W CCT
Switchable Power

LED Commercial Batten Range

Switchable power CCT diffused batten range

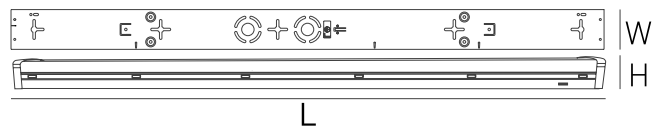
Applications Retail, Residential, Office, Showrooms, Garages



Specifications

Wattage
Lumen Output
Colour Temperature
Beam Angle
Connection
Dimensions (L x W x H)

LCB20-CCT	LCB2040-CCT
20W	20W / 40W Switchable
2000lm	2000lm / 4000Lm
4000K / 5000K / 6500K	
120°	
Rear Centre Cable Entry Terminal Block	
620 x 84.5 x 79.5mm	1200 x 84.5 x 79.5mm



- Easy install
- Not suitable for dimming
- Snap in Gear Tray
- Hinged End Caps





LWB20-CCT
LED Weatherproof Batten
20W CCT

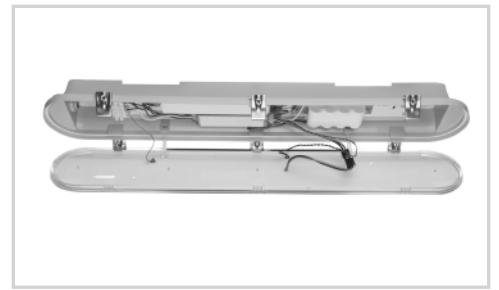
LWB2040-CCT
LED Weatherproof Batten
20W / 40W CCT
Switchable Power

LED Weatherproof Batten Range

Switchable power, CCT,

Integral diffuser & LED Module for **FAST FITMENT**

Applications Outdoor, Industrial, Sports, Amenities, Car Parks



Specifications

Wattage
Lumen Output
Colour Temperature
Beam Angle
Connection

LWB20-CCT

20W

2200lm

LWB2040-CCT

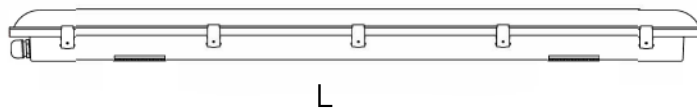
20W / 40W Switchable

2200lm / 4400Lm

4000K / 5000K / 6500K

120°

Gland entry centre rear or end with terminal block



Dimensions (L x W x H)

660 x 110 x 87mm

1200 x 110 x 87mm

Unique captive integral diffuser and LED module

Fast Fitment

Not suitable for dimming

Available in emergency model



LLB12-CCT
LED Linkable Batten
12W, CCT no Switch

LED CCT Linkable Batten

12W CCT Slimline LED linkable batten

Applications Retail, Office, Showrooms, Display, Camping & Caravan

CCT



Specifications

Wattage
Lumen Output
Colour Temperature
LED
Material
Beam Angle
CRI
Useful Life@Ta25 (l70)
Operating Temperature

Wattage	12W
Lumen Output	1300lm
Colour Temperature	Switchable 3000K , 4000K , 6500K
LED	SMD2835 LED chipset
Material	Polycarbonate
Beam Angle	120°
CRI	>80
Useful Life@Ta25 (l70)	30,000Hrs
Operating Temperature	-20°C to 40°C
	End caps, mounting brackets, 400mm connector, 1.2m flex and plug included
	Easy install
	Not suitable for dimming
	Linkable to Max.150W



LOL18-CCT

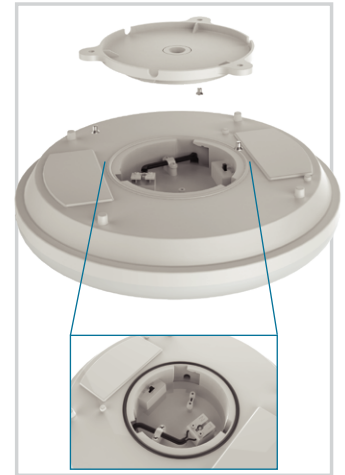
LED Oyster 18W CCT

LOL30-CCT

LED Oyster 30W CCT

LED CCT Oyster Range

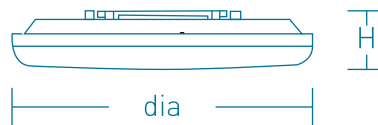
Applications Residential, Bathroom, Stairwell, Office, Storeroom



Specifications

Wattage
Lumen Output
IP Rating
Colour Temperature
Beam Angle
Connection
Dimensions (dia x H)

LOL18-CCT	LOL30-CCT
18W	30W Switchable
1620lm	2700lm
IP64	
3000K / 4000K / 6500K	
110°	
Rear Centre Cable Entry, Sealed Terminal Block	
280 x 60mm	330 x 60mm



Easy install
Not suitable for dimming
Unique Sealed Design



LMF10
10W LED Micro Floodlight

LMF20
20W LED Micro Floodlight

LMF30
30W LED Micro Floodlight

LMF50
50W LED Micro Floodlight

LED Micro Floodlight

Slimline Design, IP65, Aluminium Body, Glass Front

Applications Residential, Walkways, Sign Illumination, Gardens



Specifications

Wattage
Lumen Output
Colour Temperature
Beam Angle
CRI (Ra)
Operating Voltage
Size (H,W,D) mm

LMF10	LMF20	LMF30	LMF50
10W	20W	30W	50W
900lm	1800lm	2700lm	4500lm
4000K			
100°			
>70			
220-240V 50/60H			
117 x 131 x 26	165 x 184 x 28	185 x 215 x 30	195 x 230 x 30

Pre-wired with 600mm Flex

Tempered glass diffuser with 100° beam angle

Angled bracket for easy installation

Attractive strong and durable black finish that will last and not rust

Rear heatsink design to assist with heat dissipation



LHB100G4-4
LED Highbay 100W 4000K

LHB150G4-4
LED Highbay 150W 4000K

LHB200G4-4
LED Highbay 200W 4000K

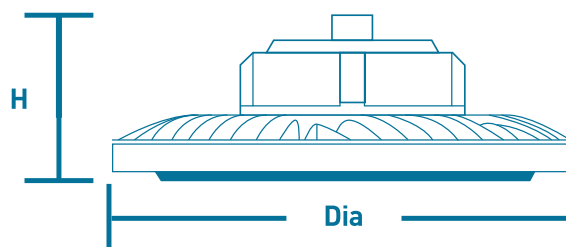
LED Highbay

150 lm/W High Performance LED Highbay

Applications Warehousing, Workshops, Manufacturing facilities, Industrial



	LHB100G4-4	LHB150G4-4	LHB200G4-4
Input Power	100W	150W	200W
Lumen Output	15,000lm	22,500lm	30,000lm
Dimensions (Dia x H)	φ270 x 107	φ310 x 108	φ365 x 123
Dimming Options	1-10V Dimming (dimming driver required)		
Trim Colour	Black		
Warranty	5yr		
IP Rating	IP65		
IK Rating	IK10		
Efficacy	150lm/W		
LED	SMD2835 Cree LED Chipset		
Colour Temp	4000K		
CRI	>80		
Beam Angle	120° - 90° optical lens available		
Supply Input	100-277V, 50/60Hz		
Power Factor	>0.9		
Useful life @Ta25° (L70)	50,000hr		
Housing	Die Cast Aluminium		
Optic	Polycarbonate Diffuser		
Fixings/Hardware	Mounting Bracket Eyelet		
Connection Type	0.9m Flex & Plug		
Total Weight	4kg		
Operating Ambient Temp.	-30 to 60°C		
Electrical Classification	Class 1		



IP65

120°

5 YEAR WARRANTY

4000K

Specifications

- Input Power
- Lumen Output
- Dimensions (Dia x H)
- Dimming Options
- Trim Colour
- Warranty
- IP Rating
- IK Rating
- Efficacy
- LED
- Colour Temp
- CRI
- Beam Angle
- Supply Input
- Power Factor
- Useful life @Ta25° (L70)
- Housing
- Optic
- Fixings/Hardware
- Connection Type
- Total Weight
- Operating Ambient Temp.
- Electrical Classification

www.lighttime.com.au

Email sales@lighttime.com.au



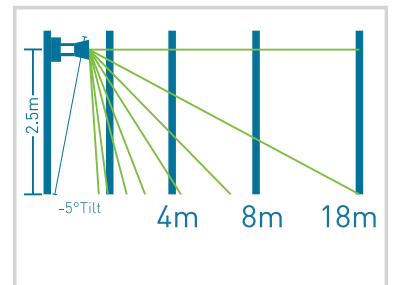
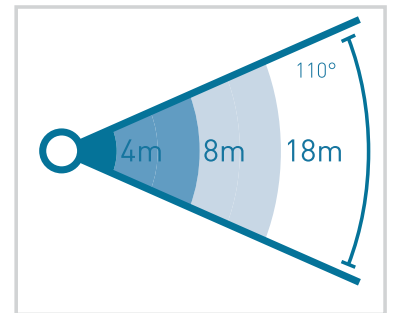
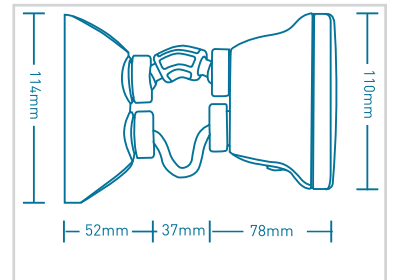
LOSPIR-BG
Outdoor PIR Sensor Beige

LOSPIR-BK
Outdoor PIR Sensor Black

Outdoor Sensor

IP66 Outdoor Infrared Sensor

Applications Residential, Industrial, Outdoor applications



Specifications

Voltage	220-240V AC
Time Duration	5 Seconds to 10 Minutes (Adjustable)
Detection Method	Passive Infrared
Detection Angle	Up to 110 Degrees
Detection Distance	Up to 18m depending on install
Lux Control Levels	<2 Lux
Load	10A 2400W Incandescent 5A 1200W Inductive
Power Consumption	0.7W
Colour	Beige / Black
Warranty	5 Year
	IP66 Indoor / Outdoor
	LED Compatible
	3 Wire Design
	Standard Mounting Block
	Adjustable Bracket
	Fast Installation
	Minimum load less than 10W



LISPIR-WH
Indoor PIR Sensor White

Indoor 360° PIR Sensor

360° Indoor Infrared Sensor

Applications Residential, Industrial, Commercial Indoor applications



Specifications

Voltage	220-240V AC
Time Duration	10 seconds to 7 minutes (Adjustable)
Detection Method	Passive Infrared
Detection Angle	360 Degrees
Detection Distance	6m
Lux Control Levels	<10 lux to 2000 lux (Adjustable)
Load	800W Incandescent 400W Inductive
Power Consumption	0.9W
Colour	White
Warranty	5 Year
	IP20 Indoor
	LED Compatible
	Flush mounting

LIGHTTIME Emergency Exit Range



Products in this catalogue are
powered by LiFePO4 lithium batteries

Our Compliance

All products are designed, manufactured and tested in accordance with Australian standards (including AS/NZS 2293, AS/NZS 60598.1, CISPR15).

ALL-IN-ONE EASY CONNECT EXIT

PRODUCT RANGE

CODE	DESCRIPTION
EXLEDL	All-in-One Easy Connect Exit
EXLEDLBK	All-in-One Easy Connect Exit - Black Finish



White finish

ORDERING INFORMATION

Carton Qty	5 pieces
Weight	1.5kg (unit) - 7.5kg (box)
Dimension (L x W x H)	355mm x 80mm x 215mm



Black finish

OPERATIONAL INFORMATION

TECHNICAL SPECIFICATIONS

Operating Mode	Maintained
Voltage (V); Frequency (Hz)	220-260V; 50Hz
Operating Temperature	1° - 45° C
IP Rating	IP20
Wiring	Large Terminal Block
Mounting Type	Wall or Ceiling Surface Mount
Testing System	Manual Test Switch
Construction	Polycarbonate Body and Diffuser
Classification	C0 E2 C90 E2
Standards	AS/NZ 2293 AS/NZS 60598.1 EMC

BATTERY AND LEDS

Battery	High-Temp LiFePO4 Lithium Battery
Power Consumption	3W
Charging Method	3 Stage Intelligence
Charging Time	16 Hours
Lens	LED Lamp Rated at 50,000 Hours
Viewing Distance	24 Metres

REPLACEMENT PART

PART NUMBER	DESCRIPTION
BLEDL	LiFePO4 Lithium Battery, 3.2V 1600mAh

SPACING TABLE AND MOUNTING HEIGHT

CLASSIFICATION	2.1m	2.4m	2.7m	3m	3.3m	3.6m	4m	4.5m	5m
E2	5.0	5.2	5.2	5.2	0.0	0.0	0.0	0.0	N/A

3W LED RECESSED BLADE EXIT

PRODUCT RANGE

CODE	DESCRIPTION
EXBLADEL	3W LED Recessed Blade Exit
EXBLADEL BK	3W LED Recessed Blade Exit - Black Finish

ORDERING INFORMATION

Carton Qty	10 pieces
Weight	1.3kg (unit) - 13.0kg (box)
Dimension (L x W x H)	365mm x 95mm x 220mm



White finish



Black finish

OPERATIONAL INFORMATION

TECHNICAL SPECIFICATIONS

Operating Mode	Maintained
Voltage (V); Frequency (Hz)	220-260V; 50Hz
Operating Temperature	1° - 45° C
IP Rating	IP20
Wiring	Flex and Plug
Mounting Type	Recessed
Testing System	Manual Test Switch
Construction	Polycarbonate Body and Diffuser, Acrylic Lens
Classification	C0 D10 C90 C12.5
Standards	AS/NZ 2293 AS/NZS 60598.1 EMC

BATTERY AND LEDS

Battery	High-Temp LiFePo4 Lithium Battery
Power Consumption	3W
Charging Method	3 Stage Intelligence
Charging Time	16 Hours
Lens	LED Rated 50,000 Hours
Viewing Distance	24 Metres

REPLACEMENT PART

PART NUMBER	DESCRIPTION
BBLADEL	LiFePO4 Lithium Battery; 3.2V 3500mAh
PBLADEL	Adaptor plate to suit EXBLADEL

SPACING TABLE AND MOUNTING HEIGHT

CLASSIFICATION	2.1m	2.4m	2.7m	3m	3.3m	3.6m	4m	4.5m	5m
D10	5.2	5.1	5.0	4.7	0.0	0.0	0.0	N/A	N/A
C12.5	4.5	4.6	4.6	4.5	4.4	0.0	0.0	0.0	0.0

CODE: EXBLADELSM
3W LED SURFACE MOUNT
BLADE EXIT

PRODUCT RANGE

CODE	DESCRIPTION
EXBLADELSM	3W LED Surface Mount Blade Exit
EXBLADELSMBK	3W LED Surface Mount Blade Exit - Black Finish

ORDERING INFORMATION

Carton Qty	10 pieces
Weight	1.4kg (unit) - 14.0kg (box)
Dimension (L x W x H)	365mm x 95mm x 60mm



White finish



Black finish

OPERATIONAL INFORMATION

TECHNICAL SPECIFICATIONS

Operating Mode	Maintained
Voltage (V); Frequency (Hz)	220-260V; 50Hz
Operating Temperature	1° - 45° C
IP Rating	IP20
Wiring	Large Terminal Block
Mounting Type	Wall or Ceiling Surface Mount
Testing System	Manual Test Switch
Construction	Polycarbonate Body, Acrylic Diffuser
Classification	C0 D10 C90 C12.5
Standards	AS/NZ 2293 AS/NZS 60598.1 EMC

BATTERY AND LEDS

Battery	High-Temp LiFePo4 Lithium Battery
Power Consumption	3W
Charging Method	3 Stage Intelligence
Charging Time	16 Hours
Lens	LED Lamp Rated at 50,000 Hours
Viewing Distance	24 Metres

REPLACEMENT PART

PART NUMBER	DESCRIPTION
BBLADELSM	LiFePO4 Lithium Battery; 3.2V 3500mAh

SPACING TABLE AND MOUNTING HEIGHT

CLASSIFICATION	2.1m	2.4m	2.7m	3m	3.3m	3.6m	4m	4.5m	5m
D10	5.2	5.1	5.0	4.7	0.0	0.0	0.0	N/A	N/A
C12.5	4.5	4.6	4.6	4.5	4.4	0.0	0.0	0.0	0.0

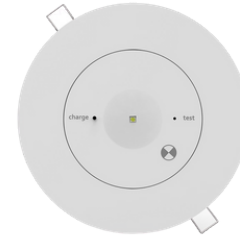
CODE: EMLITEL
LED RECESSED EMERGENCY LUMINAIRE

PRODUCT RANGE

CODE	DESCRIPTION
EMLITEL	3W LED Recessed Emergency Luminaire
EMLITELBK	3W LED Recessed Emergency Luminaire - Black Finish

ORDERING INFORMATION

Carton Qty	10 pieces
Weight	0.6kg (unit) - 6.0kg (box)
Dimension (L x W x H)	228mm x 43mm x 27mm - Control Pack; 84mm(S), 145mm(L) - Head Diameter
Ceiling Hole Cut Out	70mm(S), 75-135mm(L)



White Finish



Black Finish

OPERATIONAL INFORMATION

TECHNICAL SPECIFICATIONS

Operating Mode	Non-Maintained
Voltage (V); Frequency (Hz)	220-260V; 50Hz
Operating Temperature	1° - 45° C
IP Rating	IP20
Wiring	Flex and Plug
Mounting Type	Recessed Mounted
Testing System	Manual Test Switch
Construction	Polycarbonate
Classification	C0 D40 C90 D40
Standards	AS/NZ 2293 AS/NZS 60598.1 EMC

BATTERY AND LEDS

Battery	High-Temp LiFePO4 Lithium Battery
Power Consumption	3W
Charging Method	3 Stage Intelligence
Charging Time	16 Hours
Lens	LED Lamp Rated 50,000 hours

REPLACEMENT PART

PART NUMBER	DESCRIPTION
BLITEL	LiFePO4 Lithium Battery, 3.2V 3200mAh

SPACING TABLE AND MOUNTING HEIGHT

CLASSIFICATION	2.1m	2.4m	2.7m	3m	3.3m	3.6m	4m	4.5m	5m
D40	11.5	13.2	14.8	16.5	18.1	19.5	20.1	20.7	21.2

3W LED SURFACE MOUNT EMERGENCY LUMINAIRE

*Cylinder format available

PRODUCT RANGE

CODE	DESCRIPTION
EMLITELSM	3W LED Surface Mount Emergency Luminaire
EMLITELSMBK	3W LED Surface Mount Emergency Luminaire - Black Finish
EMLITELSMC	3W LED Surface Mount Cylinder Emergency Luminaire
EMLITELSMCBK	3W LED Surface Mount Cylinder Emergency Luminaire - Black Finish



White Finish

ORDERING INFORMATION

Carton Qty	10 pieces
Weight	1.2kg (unit) - 12.0kg (box) 1.5kg (unit) - 15.0kg (box) - Cylinder format
Dimension (L x W x H)	270mm x 190mm x 55 mm 128mm x 252mm - Cylinder format



Black Finish

OPERATIONAL INFORMATION

TECHNICAL SPECIFICATIONS

Operating Mode	Non-Maintained
Voltage (V); Frequency (Hz)	220-260V; 50Hz
Operating Temperature	1° - 45° C
IP Rating	IP20
Wiring	Large Terminal Block
Mounting Type	Surface Mounted
Testing System	Manual Test Switch
Construction	Powder Coated Metal Box
Classification	C0 D40 C90 D40
Standards	AS/NZ 2293 AS/NZS 60598.1 EMC

BATTERY AND LEDS

Battery	High-Temp LiFePO4 Lithium Battery
Power Consumption	3W
Charging Method	3 Stage Intelligence
Charging Time	16 Hours
Lens	LED Lamp Rated 50,000 Hours
Colour Temperature	5000K

REPLACEMENT PART

PART NUMBER	DESCRIPTION
BLITEL	LiFePO4 Lithium Battery, 3.2V 3200mAh

SPACING TABLE AND MOUNTING HEIGHT

CLASSIFICATION	2.1m	2.4m	2.7m	3m	3.3m	3.6m	4m	4.5m	5m
D40	11.5	13.2	14.8	16.5	18.1	19.5	20.1	20.7	21.2



LIGHTTIME Project Range



Commercial LED Downlight

LTDL201

Introduction



◀ DL201 downlight with traditional deep reflector (UGR<19) that provides perfect combination of high lighting efficiency, comfortable lighting and humanization design, without compromising on light performance(color rendering and color uniformity); It offers a wide option for creating the desired ambience.

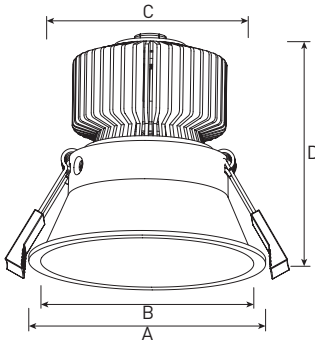
Features

1. UGR<19, anti glare design with deep reflector.
2. Supreme 6063 aluminum heat sink provides excellent thermal management.
3. External driver.
4. Easy for installation and maintenance.

Application Areas

It is suitable for supermarket, specialty store, show window, exhibition hall; etc.





Measurement

Model	Dimension(mm)				Size(mm)	Product Weight (Kg)		Package weight (Kg)		Carton Size(cm)	Qty/CTN	20GP (pcs)	40HQ (pcs)
	A	B	C	D		N.W/PC	G.W/PC	N.W/CTN	G.W/CTN				
2.5"-A	80	72	75	87	Ø80*87	0.26	0.27	9.36	11.2	65*36.5*28.5	36	16128	36612
2.5"-B	85	73	75	81	Ø85*81	0.27	0.37	9.7	14.8	65*36.5*28.5	36	16128	36612
3"	100	90	90	94	Ø100*94	0.315	7.56	0.415	11.5	50*38*29	24	12288	28728
3.5"	105	96	100	145	Ø105*145	0.375	0.525	9	14	54*41*38	24	8640	20160

Technical Data Sheet

Model No.		DL201A-2.5-10W	DL201B-2.5-10W	DL201-3-13W	DL201-3.5-13W	
Watt(W)		10W	10W	13W	13W	
Dimension(mm)		Ø80*87	Ø85*81	Ø100*94	Ø105*145	
Cutout(mm)		Ø75	Ø75	Ø90	Ø100	
Rated Input Voltage(V)		AC230V				
Input Voltage(V)		AC200-240V				
LED		COB				
SDCM		<6				
CCT(K)		1-CCT: 2700K / 3000K / 4000K / 5000K				
"Luminous Flux (lm) ±5%"	1-CCT	Non-DIM	710~910	710~910	970~1170	870~1100
		DIM	700~900	700~900	920~1120	850~1080
CRI		>80				
Beam Angle (°)		36°				
LED Driver		Built-out				
DIM		Yes				
Protection Class		Class II				
IP Rating		IP40				
IK Rating		IK06				
Finishing color		Black RAL9005 / White RAL 9016				
Material		Aluminum				
Lifetime (hr)		50,000h				
Glow wire test (°C)		850 °C				
Operating Temp.(°C)		-20°C ~45 °C				
Storage Temp.(°C)		-20°C ~65 °C				
Installation		Recessed				
Brand Driver option		Philips, Tridonic, Meanwell				

Driver Datasheet (Non-dimmable)

Power	10W	13W
Rated Input Voltage(V)	AC230V	
Frequency	50/60Hz	
Input Voltage	AC200-240V	
Efficiency	≥79%	≥82%
Total load wattage	10W±1W	13W±1W
Power Factor	0.9	
Rated Input Current	≤0.06A	≤0.08A
Full load output voltage	DC28-40V	DC28-40V
Rated output current	230mA	300mA
Output current range	230mA±5%	300mA±5%
Power tolerance	5%	
Current output tolerance	5%	
Short circuit protection	PASS	
Over voltage protection	PASS	
Over temperature protection	PASS	
THD	<20% @ 230V	
Surge	L-N 0.5KV	
Withstand voltage	AC3750V	

Driver Datasheet (Triac Dimmable)

Power	10W	13W
Rated Input Voltage(V)	AC230V	
Frequency	50Hz	
Input Voltage	AC200-240V	
Efficiency	≥82%	≥82%
Total load wattage	10W±1W	13W±1W
Power Factor	0.85	0.9
Rated Input Current	≤0.06A	≤0.08A
Full load output voltage	DC23-40V	DC23-40V
Rated output current	230mA	280mA
Output current range	230mA±5%	280mA±5%
Power tolerance	5%	
Current output tolerance	5%	
Dimming Range	10%-100%	
Short circuit protection	PASS	
Over voltage protection	PASS	
Over temperature protection	PASS	
THD	-	
Surge	L-N 0.5KV	
Withstand voltage	AC3750V	



LED Down Light

LTDL284 Series



Introduction

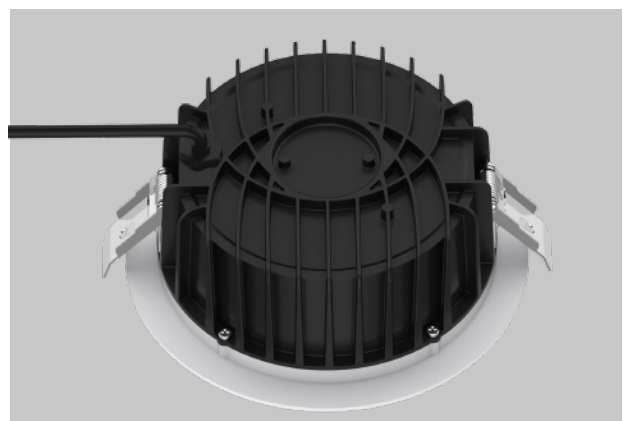
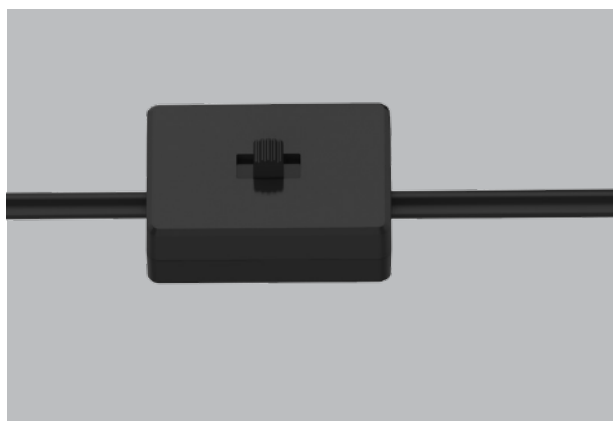
This is a waterproof downlight, it has two type options, type A is COB+lens+reflector design, type B is SMD+PC diffuser+reflector. Type A adopts brand COB light source with high Ra, combine the special optic design to reach anti-glare UGR<19. Type B adopts SMD light source, it can do interchangeable CCT, which can meet more application demands. It adopts ADC12 aluminium heat sink which provides an excellent thermal management, multiple dimming way for more applications.

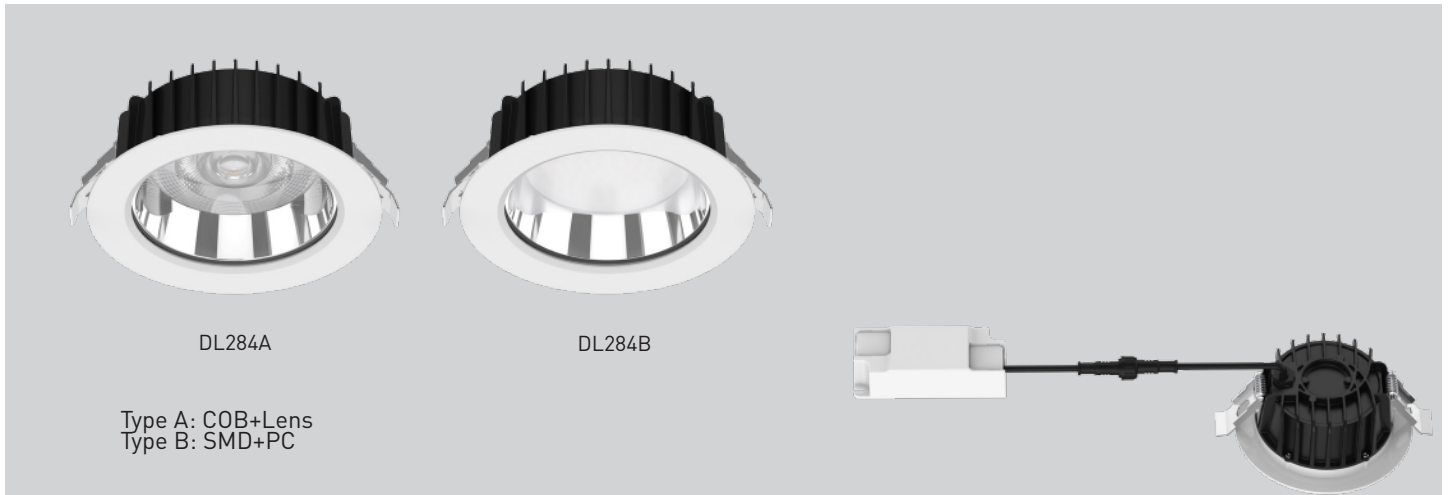
Features

- Tempered glass for a high protection level IK08.
- Faceted and Specular reflector options.
- High lumen efficiency, 100lm/W.
- Type A UGR<19, anti-glare design.
- Type B interchangeable CCT (3000K+4000K+5700K)with slide switch.
- IP65 waterproof for lamp only.
- External flicker free driver with Non- dim, triac dim, DALI dim options.

Application Areas

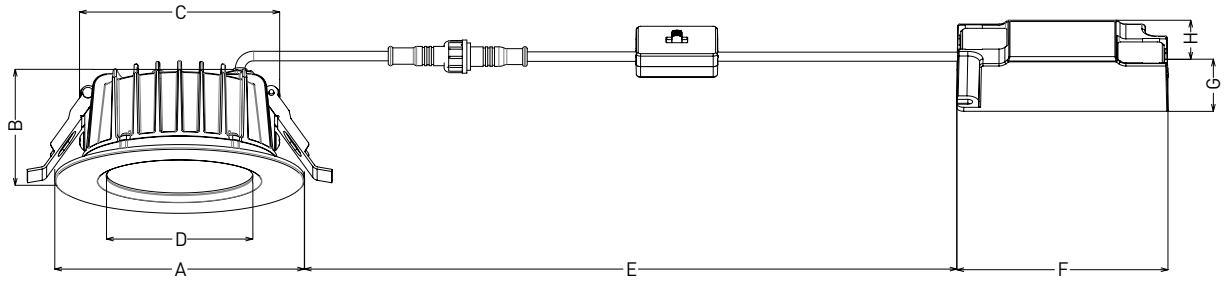
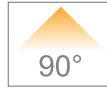
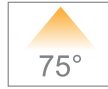
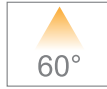
It is designed for general lighting applications in office, supermarket, shop, school, hotel etc.





Technical Data Sheet(1)

Code No.		DL284A-2.5-6W	DL284A-2.5-10W	DL284A-3-10W	DL284A-3-13W	DL284B-2.5-6W	DL284B-2.5-10W	DL284B-3-10W	DL284B-3-13W	
Dimension(mm)		Ø95*46		Ø110*51		Ø95*46		Ø110*51		
Cutout (mm)		Ø83		Ø90-Ø95		Ø83		Ø90-Ø95		
Watt(W)		6W	10W	10W	13W	6W	10W	10W	13W	
Rated Input Voltage(V)		AC230V								
Input Voltage(V)		AC220-240V								
LED Module Input		DC33-38V								
Light Source		COB				SMD				
SDCM		<6								
CCT(K)		1-CCT: 2700K/3000K/4000K/5000K				1-CCT: 3000K/4000K/5000K/5700K 3-CCT: 3000K + 4000K + 5700K				
CCT Selection DIP Switch		-				Yes				
Luminous Flux (lm) ±5%	Non-DIM	1-CCT	480-600	850-1050	950-1050	1200-1350	370-500	700-830	750-850	900-1000
	DIM		450-550	800-950	850-960	1080-1250	350-450	650-750	670-780	810-920
	Non-DIM	3-CCT	-				320-450	640-830	650-800	800-1000
	DIM		-				300-400	600-750	580-740	720-920
CRI		80								
Beam Angle (°)		24° / 36° / 60°				80°		75°		
UGR		24° / 36°<19 ; 60°<22		24° / 36°<21 ; 60°<24		-				
LED Driver		Built-out								
Dimming Option		Triac / DALI								
Sensor		-								
Emergency Kits		-								
Electrical Class		Class II								
Ingress Protection (IP Rating)		IP65								
Impact Resistance (IK Rating)		IK06								
Product Finishing(Base)		White RAL9016, Black RAL9005								
Materials of Optics		PC+AL1070+Safety glass								
Materials of Housing		Die-casting								
Lifetime (hr)		50,000h								
Glow wire test (°C)		750°C								
Operating Temp. (°C)		-20°C ~45 °C								
Storage Temp. (°C)		-20°C ~65 °C								
Installation		Recessed								



Measurement

Code	Dimension[mm]								Size (mm)	Product Weight (Kg)		Package weight (Kg)		Carton Size[cm]	Qty/CTN	20GP (pcs)	40HQ (pcs)
	A	B	C	D	E	F	G	H		N.W/PC	G.W/PC	N.W/CTN	G.W/CTN				
DL284-2.5	95	46	80.5	58.4	300	110	44.8	25	Ø95*46	0.26	0.295	8.85	9.95	36.5*29*33	30 PCS	25830	58110
DL284-3	110	51	88.2	64.4	300	93	36	26	Ø110*51	0.34	0.375	11.25	12.35	36.5*29*33	30 PCS	25830	58110
DL284-4	150	64	123.6	98.2	300	118	26	44	Ø150*64	0.62	0.71	7.44	9.52	39.5*36.5*26	12 PCS	8784	22320
DL284-6	172	69	146.6	120.4	300	118	26	44	Ø172*69	0.79	0.95	9.48	12.65	44.5*41.5*30.5	12 PCS	5820	14112
DL284-8	235	81	196.1	169	300	138	30	47	Ø235*81	1.27	1.49	7.62	10.44	54*27.5*34.5	6 PCS	3276	7968

Technical Data Sheet(2)

Code No.	DL284A/B-4-18W	DL284A/B-4-25W	DL284A/B-6-18W	DL284A/B-6-25W	DL284A/B-6-35W	DL284A/B-8-18W	DL284A-8-25W	DL284A/B-8-35W	DL284A/B-8-40W		
Dimension(mm)	Ø150x64			Ø172x69			Ø235x81				
Cutout (mm)	Ø125-140			Ø150-165			Ø200-220				
Watt(W)	18W	25W	18W	25W	35W	18W	25W	35W	40W		
Rated Input Voltage(V)	AC220-240V										
Input Voltage(V)	AC220V										
LED Module Input	A: DC32-37V B:DC30-40V										
Light Source	A: COB B:SMD										
SDCM	<6										
CCT(K)	A:1-CCT: 2700K/3000K/4000K/5000K B:1-CCT: 3000K/4000K/5000K/5700K B:3-CCT: 3000K + 4000K + 5700K										
CCT Selection DIP Switch	NO										
Luminous Flux (lm) ±5%	Non-DIM	1-CCT (A/B)	1650-1950	2250-2750	1650-1950	2250-2750	3150-3850	1650-1950	2250-2750	3150-3850	3600-4400
	DIM	1-CCT (A/B)	1500-1950	2150-2750	1500-1950	2150-2750	3000-3650	1500-1950	2150-2750	3000-3650	3400-4200
	Non-DIM	3-CCT (B)	1650-1950	2250-2750	1650-1950	2250-2750	3150-3850	1650-1950	2250-2750	3150-3850	3600-4400
	DIM	3-CCT (B)	1500-1950	2150-2750	1500-1950	2150-2750	3000-3650	1500-1950	2150-2750	3000-3650	3400-4200
CRI	Ra>80(90 Optional)										
Beam Angle (°)	A: 24°/38°/60° B:90°										
UGR	A	<19 (60°<22)	<22	< 19	<19 (60°<22)	<19 (60°<22)	<19	<19	<19 (60°<22)	<19 (60°<22)	
UGR	B	-									
LED Driver	Built-out										
Dimming Option	Triac / DALI										
Sensor	-										
Emergency Kits	-										
Electrical Class	Class II										
Ingress Protection (IP Rating)	IP65										
Impact Resistance (IK Rating)	IK08										
Product Finishing(Base)	White RAL9016, Black RAL9005										
Materials of Optics	PC+AL1070+Safety glass										
Materials of Housing	Die-casting										
Lifetime (hr)	50,000h										
Glow wire test (°C)	750 °C										
Operating Temp. (°C)	-20°C ~45 °C										
Storage Temp. (°C)	-20°C ~65 °C										
Installation	Recessed										

Driver Datasheet(Non-dimmable)(1)

Total load wattage		[2.5"] 6W	[2.5"] 10W	[3"] 10W	[3"] 13W
Output	Output Voltage range	DC28-38V		DC30-40V	
	Rated output current	140mA	230mA	250mA	320mA
	Line Regulation	±5%			
	Setup, Rise Time	≤500ms @230V			
	Flickering Index	0.5%(NO RISK)			
Input	Input Voltage	AC200-240V		AC 200-264V	
	Rated Input Voltage(V)	AC230V		AC 220-240V	
	Frequency	50/60 Hz			
	Input Current	≤0.05A	≤0.07A	≤0.06A	≤0.08A
	Rated Input Current	≤0.04A	≤0.06A	≤0.06A	≤0.07A
	Power Factor	0.8		0.9	
	THD	<20% @230V			
	Efficiency	≥80%		≥86%	
	No load wattage	≤0.5W @230VAC			
Protection	Short circuit protection	Pass			
	Over voltage protection	Pass			
	Over temperature protection	Pass			
Safety & EMC	Withstand voltage	I/P-O/P:3.75KVac,<5mA 60S			
	Isolation Resistance	I/P-O/P: 500VDC, ≥100M Ω			
	Surge	IEC/EN61000-4-5(P<25W;L-N:500V)			
	EMC Emission	EN55015, EN61000-3-2			
	EMC Immunity	EN61000-4-2,3,4,5,6,8,11; EN61547			

Driver Datasheet(Non-dimmable)(2)

Total load wattage		18W	25W	35W	8" (B) 35W	40W
Output	Output Voltage range	30-40V				
	Rated output current	A:450mA B:500mA	650mA	900mA	950mA	1050mA
	Line Regulation	±5%				
	Setup, Rise Time	500ms @230V				
	Flickering Index	0.8%(NO RISK)	0.5%(NO RISK)			
Input	Input Voltage	AC 200-264V				
	Rated Input Voltage(V)	AC220-240V				
	Frequency	50/60 Hz				
	Input Current	≥0.11A	≥0.15A	≥0.2A	≥0.22A	≥0.24A
	Rated Input Current	≥0.1A	≥0.14A	≥0.19A	≥0.2A	≥0.22A
	Power Factor	0.9				
	THD	≤20% (230VAC)				
	Efficiency	≥88%	≥90%			
	No load wattage	≤0.5W @230VAC				
Protection	Short circuit protection	Pass				
	Over voltage protection	Pass				
	Over temperature protection	Pass				
Safety & EMC	Withstand voltage	I/P-O/P:3.75KVac,<5mA 60S				
	Isolation Resistance	I/P-O/P: 500VDC, ≥100M Ω				
	Surge	IEC/EN61000-4-5(P<25W;L-N:500V)	IEC/EN61000-4-5(P≥25W L-N:1KV)			
	EMC Emission	EN55015, EN61000-3-2				
	EMC Immunity	EN61000-4-2,3,4,5,6,8,11; EN61547				

Driver Datasheet(Triac Dimmable) (1)

Total load wattage		[2.5"] 6W	[3"] 10W	[2.5"] 10W	[3"] 13W
Output	Output Voltage range	DC30-40		DC23-40V	DC30-40V
	Rated output current	120±5%	230mA	215±5%	300mA
	Line Regulation	±5%			
	Setup, Rise Time	≤500ms @230V			
	Flickering Index	7%	5%(LOW RISK)	7%	5%(LOW RISK)
Input	Input Voltage	AC 200-240V	AC 200-264V	AC 200-240V	AC 200-264V
	Rated Input Voltage(V)	AC230V	AC220-240V	AC230V	AC220-240V
	Frequency	50Hz			
	Input Current	0.04A	≤0.06A	0.06A	≤0.08A
	Rated Input Current	0.03A	≤0.06A	0.05A	≤0.07A
	Power Factor	0.85	0.9	0.85	0.9
	THD	-	<20% @230V	-	<20% @230V
	Efficiency	68%	≥80%	75%	≥80%
	No load wattage	-	<0.5W@230V	-	<0.5W@230V
Protection	Short circuit protection	Pass			
	Over voltage protection	Pass			
	Over temperature protection	Pass			
Safety & EMC	Withstand voltage	I/P-O/P:3.75KVac,<5mA 60S			
	Isolation Resistance	I/P-O/P: 500VDC, ≥100M Ω			
	Surge	IEC/EN61000-4-5(P<25W; L-N:500V)			
	EMC Emission	EN55015, EN61000-3-2			
	EMC Immunity	EN61000-4-2,3,4,5,6,8,11; EN61547			

Driver Datasheet(Triac Dimmable) (2)

Total load wattage		18W	25W	35W	8" (B) 35W	40W
Output	Output Voltage range	30-40V				
	Rated output current	450mA	600mA	850mA	900mA	1000mA
	Line Regulation	±5%				
	Setup, Rise Time	A: 500ms @230V B:<0.5S				
	Flickering Index	4%(LOW RISK)	3%(LOW RISK)			
Input	Input Voltage	AC 200-264V				
	Rated Input Voltage(V)	AC220-240V				
	Frequency	50 Hz				
	Input Current	≥0.11A	≥0.15A	≥0.21A	≥0.22A	A:≥0.24A B:≥0.23A
	Rated Input Current	≥0.1A	≥0.13A	≥0.19A	≥0.2A	A: ≥0.22A B: ≥0.21A
	Power Factor	0.9				
	THD	≤20% (230VAC)				
	Efficiency	≥83%	≥84%			
	No load wattage	≤0.5W @230VAC				
Protection	Short circuit protection	Pass				
	Over voltage protection	Pass				
	Over temperature protection	Pass				
Safety & EMC	Withstand voltage	I/P-O/P:3.75KVac,<5mA 60S				
	Isolation Resistance	I/P-O/P: 500VDC, ≥100M Ω				
	Surge	IEC/EN61000-4-5(P<25W;L-N:500V)	IEC/EN61000-4-5(P≥25W L-N:1KV)			
	EMC Emission	EN55015, EN61000-3-2				
	EMC Immunity	EN61000-4-2,3,4,5,6,8,11; EN61547				

Driver Datasheet(DALI Dimmable)

Total load wattage		6W	10W	12W	18W	25W	6" (A)35W	35W	40W	
Output	Output Voltage range	DC30-40V								
	Rated output current	135mA	250mA	300mA	450mA	600mA	850mA	900mA	1050mA	
	Line Regulation	±5%								
	Setup, Rise Time	≤1s @230V			<1S					
	Flickering Index	0.5%(NO RISK)			6% IEEE1789 NO RISK					
Input	Input Voltage	AC 200-265V			AC 180-265V					
	Rated Input Voltage(V)	AC 220-240V			AC 200-240V					
	Frequency	50/60 Hz								
	Input Current	≤0.04A	≤0.06A	≤0.07A	0.12A	0.16A	0.22A	0.22A	0.25A	
	Rated Input Current	≤0.04A	≤0.06A	≤0.07A	0.1A	0.14A	0.2A	0.2A	0.23A	
	Power Factor	0.9								
	THD	≤20% (230VAC)								
	Efficiency	≥78%			86%	86%	87%	A: 87% B:86%	87%	
	No load wattage	≤0.5W @230VAC								
Protection	Short circuit protection	Pass								
	Over voltage protection	Pass								
	Over temperature protection	Pass								
Safety & EMC	Withstand voltage	I/P-O/P:3.75kVac,<5mA 60S								
	Isolation Resistance	I/P-O/P: 500VDC, ≥100M Ω								
	Surge	IEC/EN61000-4-5(P<25W;L-N:500V)				IEC/EN61000-4-5(P≥25W L-N:1KV)				
	EMC Emission	EN55015, EN61000-3-2								
	EMC Immunity	EN61000-4-2,3,4,5,6,8,11; EN61547								



LIGHTTIME
ILLUMINATION



IP65 LED Downlight
LTDL269A/B Series



Introduction

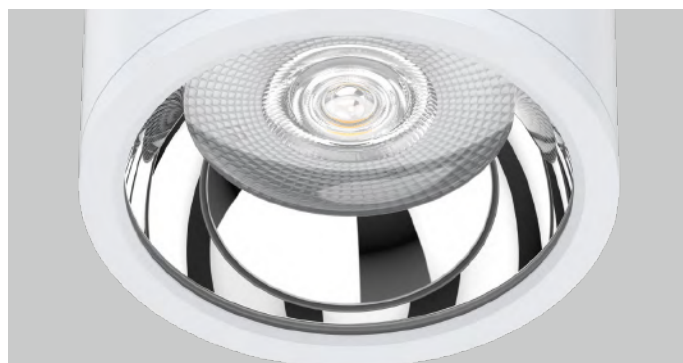
This new surface mounted downlight has a complete size options, it has faceted and specula reflector design for different optic reflection. Screwless on surface and tempered glass in front part, which offer a better appearance, high protection level and convenient installation. Two options for optic combination: Type A COB LED chip+lens+reflector, Type B SMD LED chip+diffuser+reflector.

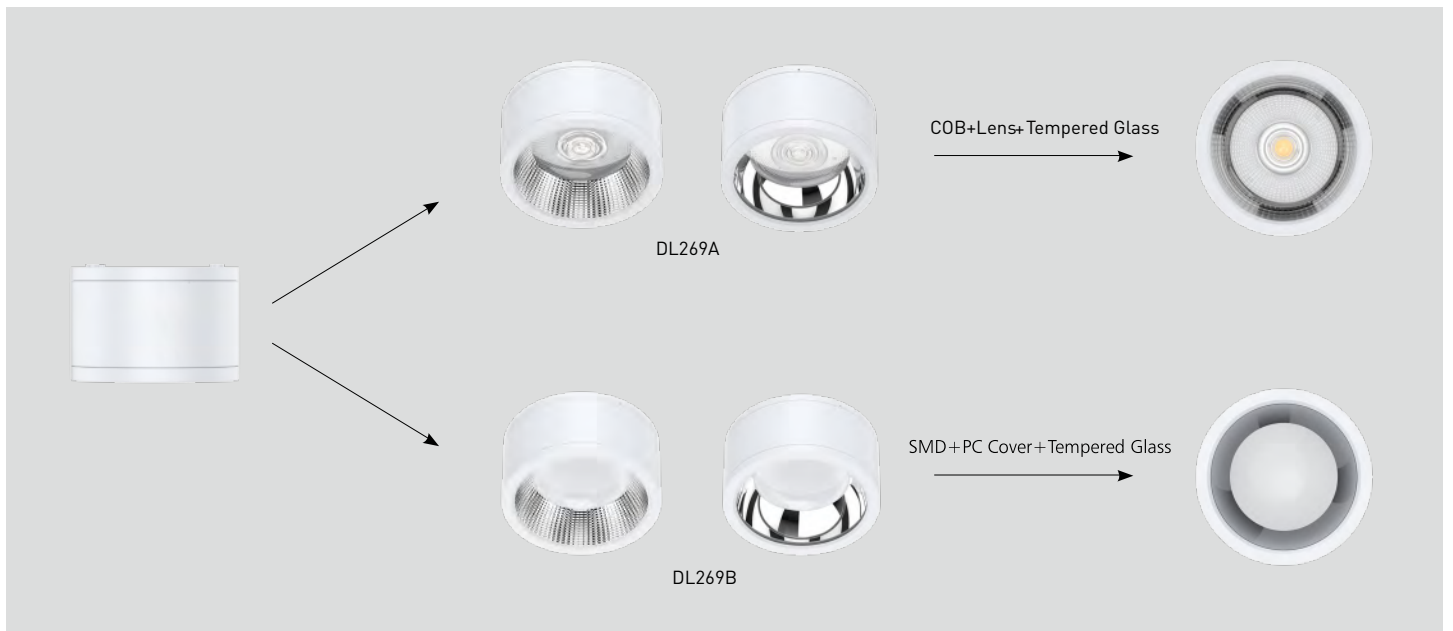
Features

- Faceted and Specular reflector options.
- IP65 waterproof, IK08 protection level.
- Type A COB version is UGR<19, with 24°/36°/60° lens options.
- Type B SMD version: Interchangeable CCT available, 3000K+4000K+5700K with slide switch.
- Size options: 3inches/5inches/6inches/8inches/10inches.
- Internal flicker free driver.
- Triac dimming/DALI dimming available (Do not include 3 inch)

Application Areas

It is designed for general lighting applications in Retails, conference rooms, hotels, restaurants, Foyers, corridors, and living spaces, etc...

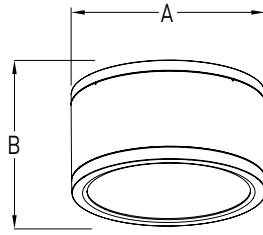




Technical Data Sheet(1)

Code No.	DL269A/B-3-10W		DL269A/B-3-15W		DL269A/B-5-18W		DL269A/B-5-25W		DL269A/B-6-25W		DL269A/B-6-30W			
Dimension(mm)	Ø90*H107				Ø130*H115				Ø160*H110					
Cutout (mm)	-													
Watt(W)	10W		15W		18W		25W		25W		30W			
Rated Input Voltage(V)	AC200-240V													
Input Voltage(V)	AC200-240V													
LED Module Input	-													
Light Source	SMD2835/COB													
SDCM	SMD2835 SDCM≤6 / COB SDCM≤4(Overall)													
CCT(K)	(COB A 1-CCT:2700K/3000K/4000K/5000K) (SMD B 1-CCT:3000K/4000K/5000K/5700K) 3-CCT: 3000K + 4000K + 5700K													
CCT Selection DIP Switch	YES													
Luminous Flux (lm) ±5%	Non-DIM	1-CCT (DL269A/B)	900-1100		1300-1600		1700-1900		2300-2500		2300-2500		2200-3000	
			850-1050		-		1600-1800		2100-2400		2100-2400		2100-2800	
	DIM	3-CCT (DL269B)	850-1100		1000-1200		1600-1800		2100-2400		2100-2400		2100-2700	
			800-1000		-		1500-1750		2000-2300		2000-2300		2100-2600	
CRI	80													
Beam Angle (°)	DL269A (24°36°60°) DL269B 75°													
UGR	DL269A		<19		<22		<19		<19 [60 °<22]		<19			
	DL269B		<25											
LED Driver	Built-in													
Dimming Option	Triac/ DALI (NO 3 inch, 5 inch 25W)													
Sensor	NO													
Emergency Kits	NO													
Electrical Class	Class I													
Ingress Protection (IP Rating)	IP65													
Impact Resistance (IK Rating)	IK08													
Product Finishing(Base)	White RAL 9016 / Black RAL 9005													
Materials of Optics	PC+Glass													
Materials of Housing	Die-casting													
Lifetime (hr)	>50000H													
Glow wire test (°C)	NO													
Operating Temp. (°C)	-20°C ~40 °C													
Storage Temp. (°C)	-20°C ~65 °C													
Installation	Surface mount													

Color changeable



Measurement

Code	Dimension(mm)		Size(mm)	Product Weight [Kg]		Package weight (Kg)		Carton Size(cm)	Qty/CTN	20GP (pcs)	40HQ (pcs)
	A	B		N.W/PC	G.W/PC	N.W/CTN	G.W/CTN				
DL269A/B-3	90	107	Ø90*H70	0.6	0.646	11.6	12.2	36.5x24.5x46	12	8460	19080
DL269A/B-5	130	115	Ø130*H115	0.92	1.01	12.1	12.8	50x33.5x32	12	6168	14700
DL269A/B-6	160	110	Ø160*H110	1.18	1.313	7.9	8.4	40x20.5x45.5	6	4620	10386
DL269A/B-8	214	119	Ø214*H119	2.2	2.48	14.9	15.6	51.5x26x49	6	2376	5568
DL269A/B-10	250	125	Ø250*H125	2.8	3.18	12.7	13.5	61x31x36	4	1588	3724

Technical Data Sheet(2)

Code No.	DL269A/B-8-25W	DL269A/B-8-35W	DL269A/B-8-40W	DL269A/B-10-35W	DL269A/B-10-40W	DL269A/B-10-45W		
Dimension(mm)	Ø214*H119			Ø250*H125				
Cutout (mm)	-							
Watt(W)	25W	35W	40W	35W	40W	45W		
Rated Input Voltage(V)	AC200-240V							
Input Voltage(V)	AC200-240V							
LED Module Input	-							
Light Source	SMD2835/COB							
SDCM	SMD2835 SDCM≤6 / COB SDCM≤4(Overall)							
CCT(K)	(COB A 1-CCT:2700K/3000K/4000K/5000K) (SMD B 1-CCT:3000K/4000K/5000K/5700K) 3-CCT: 3000K + 4000K + 5700K							
CCT Selection DIP Switch	YES							
Luminous Flux (lm) ±5%	Non-DIM	1-CCT (DL269A/B)	2300-2500	3300-3500	3500-4000	3300-3500	3800-4200	4200-4600
	DIM		2100-2400	3000-3400	-	3150-3400	3700-4000	4000-4500
	Non-DIM	3-CCT (DL269B)	2100-2400	3100-3300	3500-3900	3100-3300	3600-4100	4200-4500
	DIM		2000-2300	2800-3200	-	3100-3300	3500-4000	4100-4400
CRI	80							
Beam Angle (°)	DL269A [24°36°60°]DL269B 75°							
UGR	DL269A	<19						
	DL269B	<25						
LED Driver	Built-in							
Dimming Option	Triac/ DALI							
Sensor	NO							
Emergency Kits	NO							
Electrical Class	Class I							
Ingress Protection (IP Rating)	IP65							
Impact Resistance (IK Rating)	IK08							
Product Finishing(Base)	White RAL 9016 / Black RAL 9005							
Materials of Optics	PC+Glass							
Materials of Housing	Die-casting							
Lifetime (hr)	>50000H							
Glow wire test (°C)	NO							
Operating Temp. (°C)	-20°C ~40 °C							
Storage Temp. (°C)	-20°C ~65 °C							
Installation	Surface mount							

Driver Datasheet (Non-dimmable)

Total load wattage		10W	15W	18W	25W	30W	35W	40W	45W
Output	Output Voltage range	DC30-40V							
	Rated output current	230mA	350mA	450mA	600mA	800mA	860mA	1000mA	1100mA
	Line Regulation	±5%							
	Setup, Rise Time	<0.5S @230V							
	Flickering Index	1% ; IEEE1789 NO RISK							0.5%(NO RISK)
Input	Input Voltage	AC180-265V							AC200-264V
	Rated Input Voltage(V)	AC200-240V							AC220-240V
	Frequency	50/60HZ							
	Input Current	0.07A	0.1A	0.12A	0.16A	0.2A	0.23A	0.25A	≤0.25A
	Rated Input Current	0.06A	0.09A	0.1A	0.14A	0.18A	0.21A	0.23A	≤0.23A
	Power Factor	0.9							
	THD	<20% @230V							
	Efficiency	≥82%	≥84%	≥85%	≥86%				≥88%
	No load wattage	<0.5W @230V							
Protection	Short circuit protection	Pass							
	Over voltage protection	Pass							
	Over temperature protection	Pass							
Safety &EMC	Withstand voltage	I/P-O/P:3.75KVac,<5mA 60S							
	Isolation Resistance	I/P-O/P: 500VDC, ≥100M Ω							
	Surge	IEC61000-4-5(P<25W;L-N:500V,L/N-PE:1KV)				IEC61000-4-5(P≥ 25W;L-N:1KV,L/N-PE:2KV)			
	EMC Emission	EN55015, EN61000-3-2							
	EMC Immunity	EN61000-4-2,3,4,5,6,8,11; EN61547							

Driver Datasheet (Triac Dimming)

Total load wattage		10W	18W	25W	30W	35W	40W	45W	
Output	Output Voltage range	DC30-40V							
	Rated output current	230mA	440mA	580mA	720mA	800mA	950mA	1050mA	
	Line Regulation	±5%							
	Setup, Rise Time	<0.5S							
	Flickering Index	5.5%(LOW RISK)							
Input	Input Voltage	AC200-240V							
	Rated Input Voltage(V)	AC230V							
	Frequency	50HZ							
	Input Current	0.06A	0.1A	0.14A	0.17A	0.2A	0.23A	0.25A	
	Rated Input Current	0.05A	0.09A	0.13A	0.15A	0.17A	0.2A	0.22A	
	Power Factor	0.9							
	THD	<20% @230V							
	Efficiency	≥80%	≥83%			≥85%			
	No load wattage	<1W							
Protection	Short circuit protection	Pass							
	Over voltage protection	Pass							
	Over temperature protection	Pass							
Safety &EMC	Withstand voltage	I/P-O/P:3.75KVac,<5mA 60S; I/P-FG:1.6KVac,<5mA 60S; O/P-FG:0.5KVac,<5mA 60S							
	Isolation Resistance	I/P-O/P: 500VDC, ≥100M Ω							
	Surge	C61000-4-5(L-N:0.5KV;L/N-PE:1KV)				IEC61000-4-5(L-N:1KV;L/N-PE:2KV)			
	EMC Emission	EN55015, EN61000-3-2							
	EMC Immunity	EN61000-4-2,3,4,5,6,8,11; EN61547							

Driver Datasheet (DALI Dimmable)

Total load wattage		10W	18W	25W	30W	35 W	40W	
Output	Output Voltage range	DC30-40V						
	Rated output current	250mA	400mA	700mA	800mA	900mA	1000mA	
	Line Regulation	±8%	±5%					
	Setup, Rise Time	<0.5S						
	Flickering Index	5.5%						
Input	Input Voltage	AC220-240V						
	Rated Input Voltage(V)	AC230V						
	Frequency	50-60HZ						
	Input Current	0.06A	0.08A	0.13A	0.16A	0.18A	0.21A	
	Rated Input Current	0.05A	0.08A	0.13A	0.15A	0.17A	0.2A	
	Power Factor	0.9						
	THD	<25% @230V						
	Efficiency	79%			84%			
	No load wattage	<0.5W						
Protection	Short circuit protection	Pass						
	Over voltage protection	Pass						
	Over temperature protection	Pass						
Safety & EMC	Withstand voltage	I/P-O/P:3.75KVac,<5mA 60S; I/P-FG:1.6KVac,<5mA 60S; O/P-FG:0.5KVac,<5mA 60S						
	Isolation Resistance	I/P-O/P: 500VDC, ≥100M Ω						
	Surge	IEC61000-4-5 L-N-PE:2KV						
	EMC Emission	EN55015, EN61000-3-2						
	EMC Immunity	EN61000-4-2,3,4,5,6,8,11; EN61547						



LED Wall Light

LTWL75 Series



Introduction

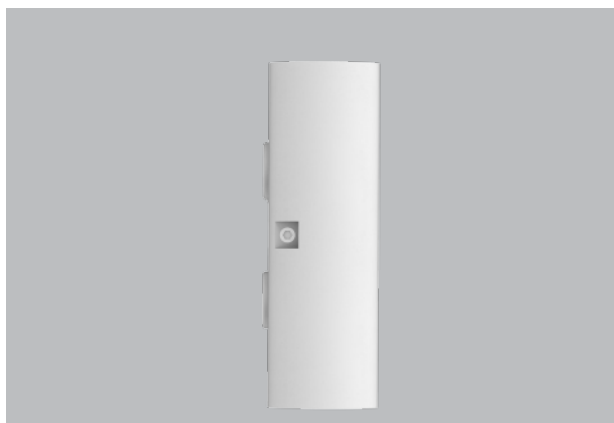
WL75 is an ultra-thin design which looks like a power bank. It adopted SMD light source in both ends with PC lens, wall-washing design for optic effect, so it can do higher and further lighting. For material part, it adopted ADC12 Aluminium which offers a great heat dissipation. Besides, it is an up and down lighting design which can achieve a better atmosphere. IP65 waterproof will suit to a wider application area.

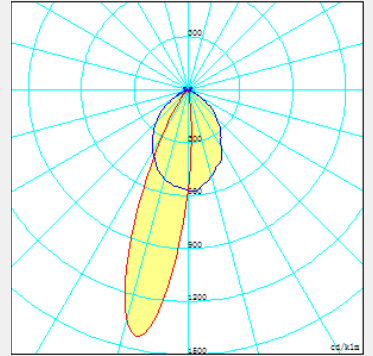
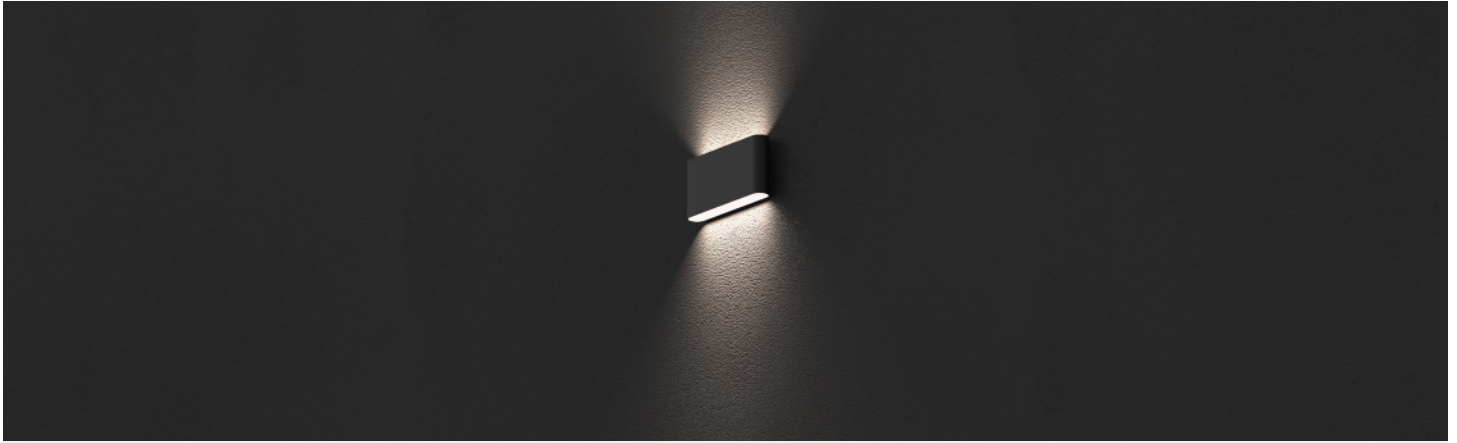
Features

- Ultra-thin with only 30.5mm thickness.
- Up & down lighting design.
- Wall-washer design with polarized lens 8 degree.
- IP65 waterproof.
- Interchangeable CCT(3000K+4000K+5700K)with slide switch.
- Internal flicker free driver.

Application Areas

It is designed for indoor and outdoor lighting applications hotel, park, and corridors etc.

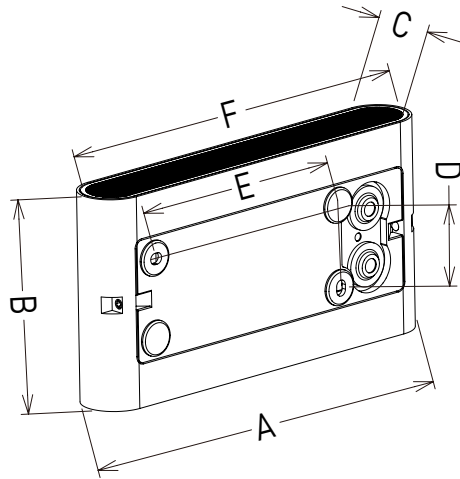




Polarized lens 8 degree

Technical Data Sheet

Code No.	WL75-6W	WL75-6W-C3	WL75-10W	WL75-10W-C3
Dimension(mm)	135*90*30.5		175*90*30.5	
Cutout (mm)	-			
Watt(W)	6W		10W	
Rated Input Voltage(V)	AC220-240V			
Input Voltage(V)	AC230V			
LED Module Input	-			
Light Source	SMD2835			
SDCM	<6			
CCT(K)	3000K/4000K/5000K/5700K		3000K/4000K/5700K	
CCT Selection DIP Switch	YES			
Luminous Flux (lm) ±5%	Non-DIM	1-CCT	530-670	
	DIM		-	
	Non-DIM	3-CCT	540-680	
	DIM		-	
CRI	80			
Beam Angle (°)	Polarized lens 8°			
UGR	-			
LED Driver	Built-in			
Dimming Option	NO			
Sensor	NO			
Emergency Kits	NO			
Electrical Class	Class I			
Ingress Protection (IP Rating)	IP65			
Impact Resistance (IK Rating)	IK08			
Product Finishing(Base)	White RAL 9016/Black RAL 9005			
Materials of Optics	PC			
Materials of Housing	Aluminum ADC12			
Lifetime (hr)	L 70B50 50000hr			
Glow wire test (°C)	750°C			
Operating Temp. (°C)	-20°C ~45 °C			
Storage Temp. (°C)	-20°C ~65 °C			
Installation	Wall mount			



Measurement

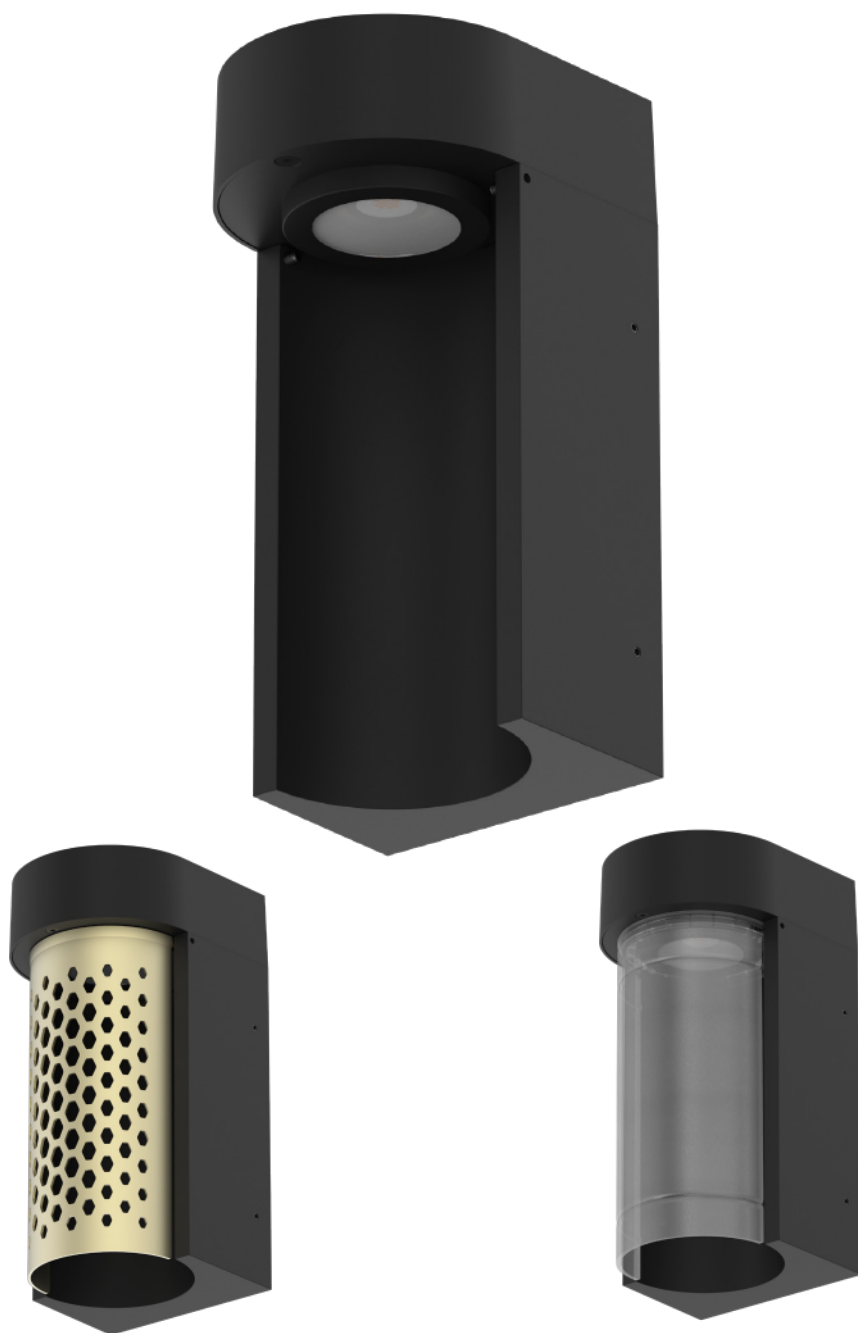
Code	Dimension(mm)					Size(mm)	Product Weight (Kg)		Package weight (Kg)		Carton Size(cm)	Qty/CTN	20GP (pcs)	40HQ (pcs)
	A	B	C	D	E		N.W/PC	G.W/PC	N.W/CTN	G.W/CTN				
WL75-6W	135	90	30.5	36	66.1	135*90*30.5	0.47	0.62	11.2	12.4	39*33.5*20	18PCS	19620	47970
WL75-10W	175	90	30.5	34.5	101.5	175*90*30.5	0.57	0.72	13	14.2	41.5*39*20	18PCS	14202	35640

Driver Datasheet (Non-dimmable)

Total load wattage		6W	10W
Output	Output Voltage range	DC:30-40V	DC:25-35V
	Rated output current	145mA	275mA
	Line Regulation	±5%	
	Setup, Rise Time	≤0.5S	
	Flickering Index	<3%(NO RISK)	
Input	Input Voltage	AC220-240V	
	Rated Input Voltage(V)	AC230V	
	Frequency	50/60Hz	
	Input Current	0.038A	0.055A
	Rated Input Current	0.033A	0.048A
	Power Factor	0.8 @230V	
	THD	-	
	Efficiency	82%@230V	
	No load wattage	<0.5W	
Protection	Short circuit protection	Pass	
	Over voltage protection	Pass	
	Over temperature protection	Pass	
Safety & EMC	Withstand voltage	I/P-O/P:3.75KVac,<5mA 60S	
	Isolation Resistance	I/P-O/P: 500VDC, ≥100M Ω	
	Surge	IEC/EN61000-4-5(P<25W; L-N:500V)	
	EMC Emission	EN55015, EN61000-3-2	
	EMC Immunity	EN61000-4-2,3,4,5,6,8,11; EN61547	

LIGHTTIME

ILLUMINATION



LED Wall Light

LTWL52 Series



Introduction

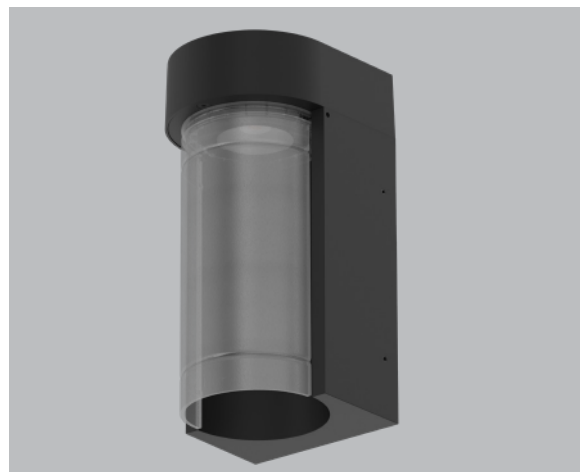
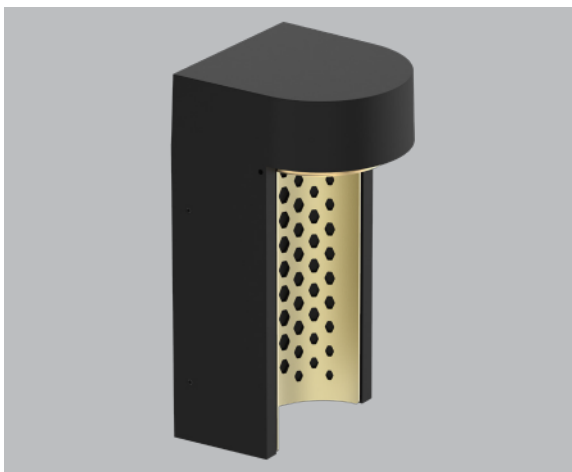
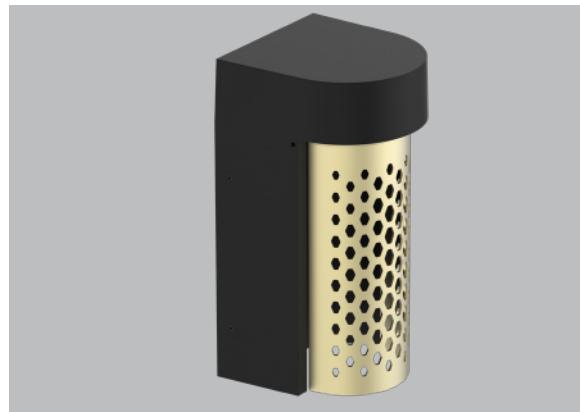
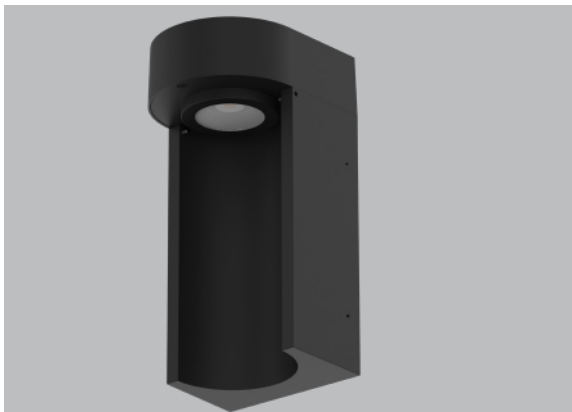
This wall lamp has two lampshade options (PC shade and metal grille shade) with flexible assemble way, lamp shade can do up&down/front&back assembly, so that it can meet more application demand. For structure details, it's adopted brand COB light source with high Ra, tempered glass for a better protection and uniform light output, ADC12 aluminium housing for a better heat dissipation.

Features

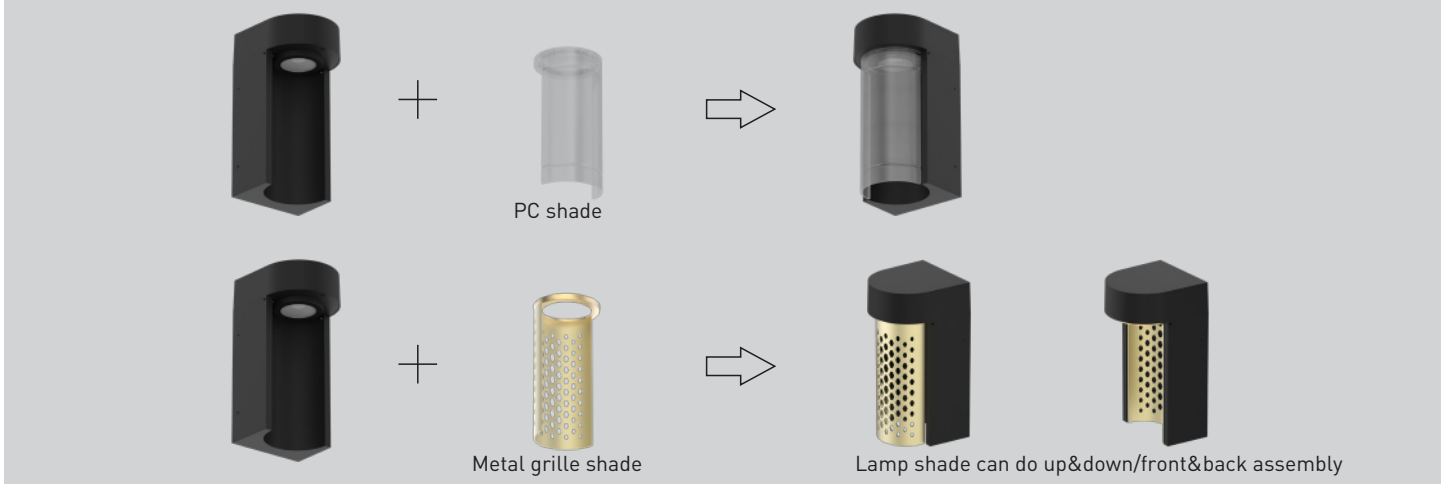
- Two lampshade options: PC shade and metal grille shade.
- Flexible assemble way for lampshade.
- Interchangeable CCT(2700K+4000K+6500K) with slide switch.
- Lamp color: Black. Grill shade color: Brass 7555 U.
- Internal flicker free driver.

Application Areas

It's widely used in outdoor corner, corridors, pillars in open plan offices etc.

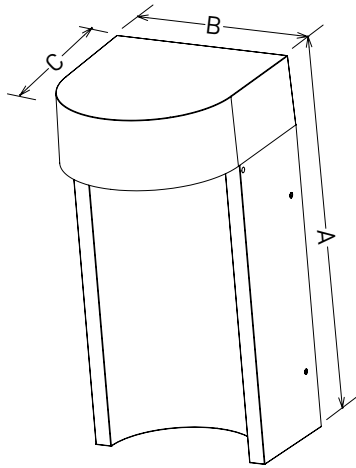


Two lampshade options



Technical Data Sheet

Code No.		WL52-10W	WL52-10W-C3
Dimension(mm)		229*113*120	229*113*120
Cutout (mm)		-	
Watt(W)		10W	
Rated Input Voltage(V)		AC230V	
Input Voltage(V)		AC220-240V	
LED Module Input		-	
Light Source		COB	
SDCM		<6	
CCT(K)		1-CCT: 2700K /3000K/4000K/5000K	3-CCT:2700K+4000K+6500K
CCT Selection DIP Switch		NO	YES
Luminous Flux (lm) ±5%	Non-DIM	1-CCT	-
	DIM		
	Non-DIM	3-CCT	-
	DIM		
CRI		80	90
Beam Angle (°)		30°	
UGR		-	
LED Driver		Built-in	
Dimming Option		NO	
Sensor		NO	
Emergency Kits		NO	
Electrical Class		Class I	
Ingress Protection (IP Rating)		IP65	
Impact Resistance (IK Rating)		IK06	
Product Finishing(Base)		Black	
Materials of Optics		Aluminum/PC	
Materials of Housing		Aluminum ADC12	
Lifetime (hr)		5,000h@25 °C	
Glow wire test (°C)		750 °C	
Operating Temp. (°C)		-20°C ~45 °C	
Storage Temp. (°C)		-20°C ~65 °C	
Installation		Wall mount	



Measurement

Code	Dimension(mm)			Size(mm)	Product Weight [Kg]		Package weight [Kg]		Carton Size(cm)	Qty/CTN	20GP (pcs)	40HQ (pcs)
	A	B	C		N.W/PC	G.W/PC	N.W/CTN	G.W/CTN				
WL52-10W	229	113	120	229*113*120	1.59	1.77	10.62	11.3	46.5*29*34	6pcs	3648	8592
WL52-10W-C3	229	113	120	229*113*120	1.62	1.80	10.8	11.4	46.5*29*34	6pcs	3648	8592

Driver Datasheet (Non-dimmable)

Total load wattage		10W
Output	Output Voltage range	DC30-40V
	Rated output current	220mA
	Line Regulation	±5%
	Setup, Rise Time	≤0.5S
	Flickering Index	NO RISK
Input	Input Voltage	AC220-240V
	Rated Input Voltage(V)	AC230V
	Frequency	50/60HZ
	Input Current	≤0.06A
	Rated Input Current	≤0.05A
	Power Factor	0.9
	THD	<20% @230V
	Efficiency	≥83%
No load wattage	≤0.5W	
Protection	Short circuit protection	PASS
	Over voltage protection	PASS
	Over temperature protection	PASS
Safety & EMC	Withstand voltage	I/P-FG:1.5KVac,<5mA 60S
	Isolation Resistance	500VDC, ≥2M Ω
	Surge	IEC/EN61000-4-5(P<25W; L-N:500V)
	EMC Emission	EN55015, EN61000-3-2
	EMC Immunity	EN61000-4-2,3,4,5,6,8,11; EN61547